

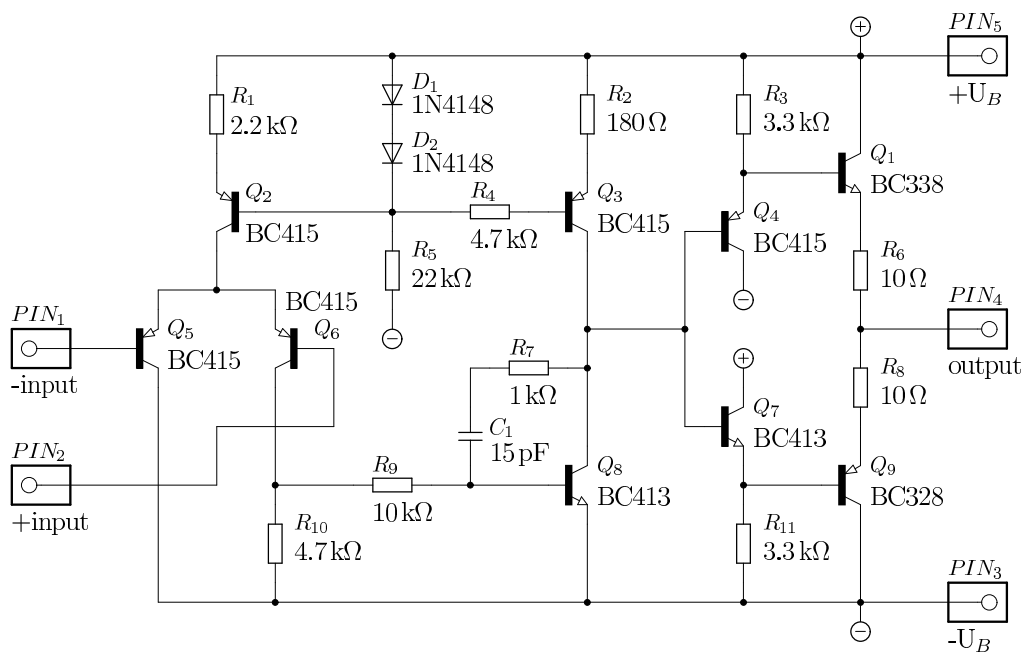
Lawo 325/1-0,00 Opamp

This is a reverse engineered schematic and parts layout of the 325/1-0,00 Opamp made by Lawo, used for example in the Lawo Pegelsteller module DW990/V. It seems like this opamp was usually used as a low gain output amp to drive a 1 : 1.75 output transformer resulting in a load down to 100Ω. No warranty for anything, may contain errors.

Operating conditions

minimum load: 100 Ω
supply voltage: ±11 V

Schematic



Note: Q_3 , Q_5 , Q_6 and Q_8 are marked with colored dots, so they might be specially selected or matched.

Parts placement

component side

